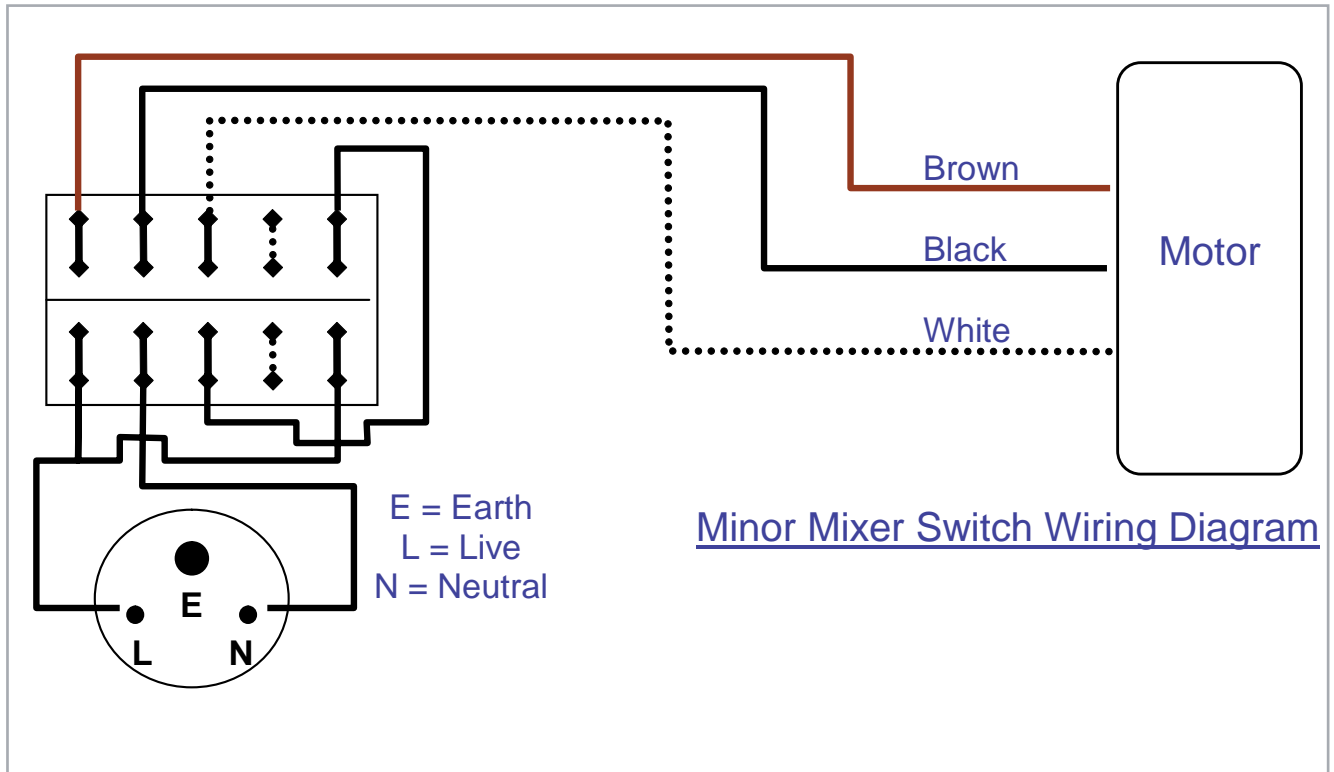


TECHNICAL BULLETIN

PRODUCT	MODEL	CODE	REF:	BULLETIN No:	DATE
MINOR	ALL	C	-	-	MAR 2009

CODE: A = IMPORTANT INFORMATION B = PRODUCT UPDATE C = GENERAL INFORMATION

SUBJECT: BarOmix Minor Mixer Switch Wiring Diagram



Belle Group reserves the right to alter details and specifications without notice.

PLEASE AMEND YOUR LITERATURE ACCORDINGLY:

NO