

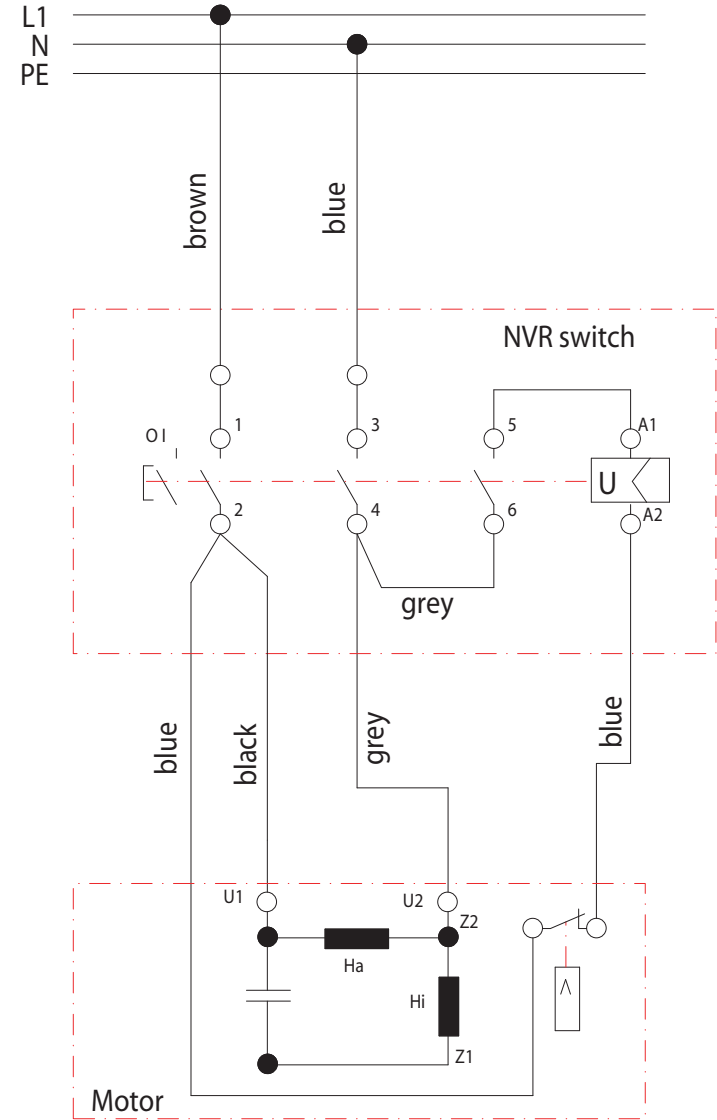
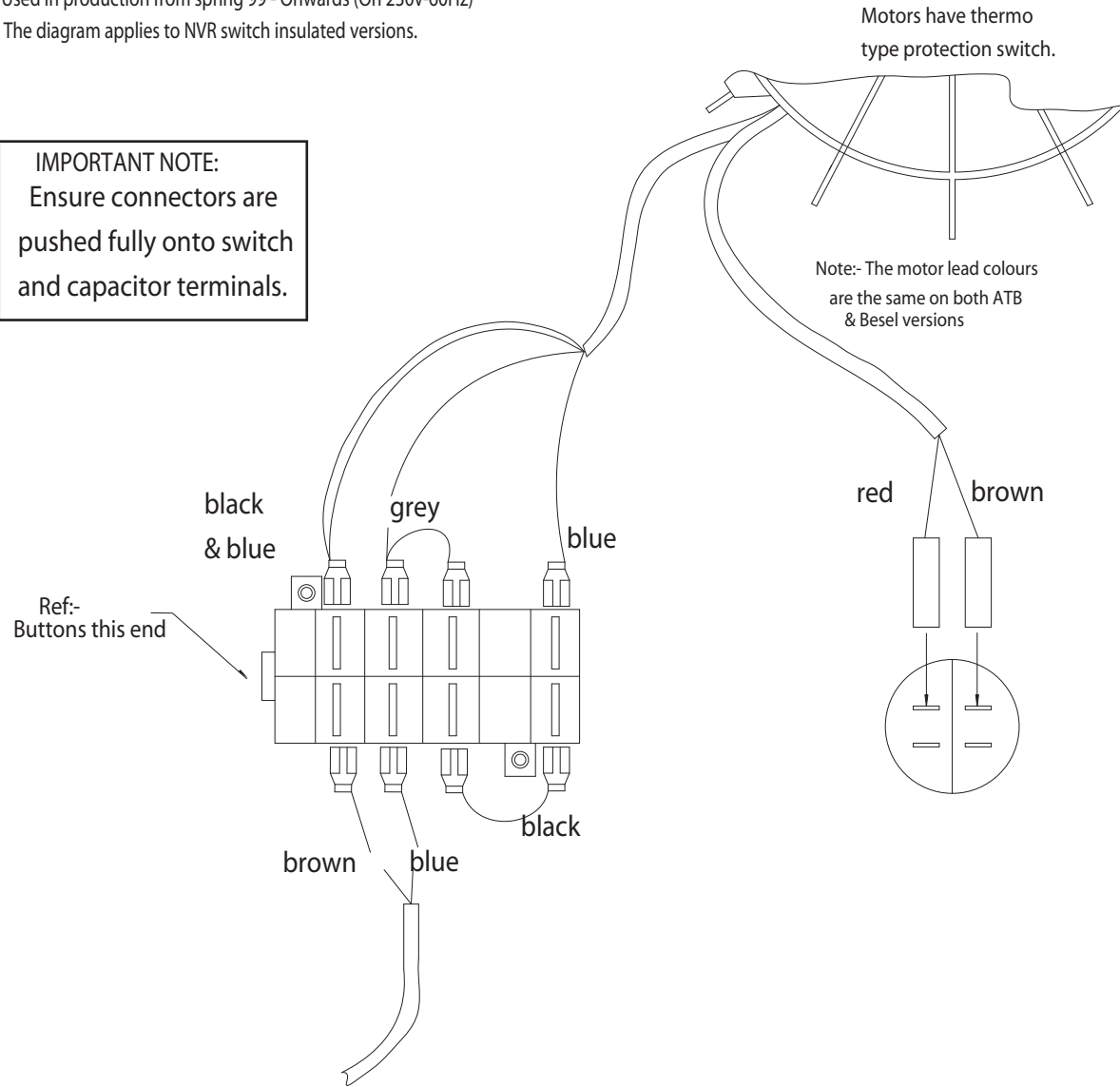
MINIMIX 150

Note:- Used in production from spring 99 - 31st March 02 (On 230v-50HZ + 110v-50HZ)

Used in production from spring 99 - Onwards (On 230v-60HZ)

The diagram applies to NVR switch insulated versions.

IMPORTANT NOTE:
Ensure connectors are pushed fully onto switch and capacitor terminals.



ASSEMBLY INSTRUCTION 312

5				10			
4				9			
3				8			
2	E2809	MOD TO TEXT ON DRAWING	16.01.02	NA	7		
1	E2542	BESSEL WIRING DETAILS ADDED	03.04.00	AES	6		
	ECN No.	DESCRIPTION	DATE	DRN	ECN No.	DESCRIPTION	DATE
	1	2	3		4	5	6

BELLE ENGINEERING LTD.		SHEEN, BUXTON, DERBYSHIRE. SK17 0EU	
MACHINING. LINEAR DIMS & HOLE CENTRES ±0.5mm ANGLES ±0.5° HOLES UP TO 8mm -0 +0.16 HOLES OVER 8mm -0 +2% OF DIA.			
FABRICATION DETAILS. 0-500mm ±1mm 500-2000mm ±1.5mm OVER 2000mm ±3mm ANGLES ±1° FABRICATION ASSEMBLIES. 0-1000mm ±1.5mm 1000-2000mm ±3mm OVER 2000mm ±6mm ANGLES ±1°			
SURFACE TEXTURE VALUES IN MICROMETRES			
Drw. No.	AIO312 - 2	ECN No.	E2382
Desc.	ASSEMBLY - MINI 150 NVR SWITCH		
Drawn.	A. SIMPSON	Date.	16 Feb 99
Scale.	1:1	Weight.	0 Kg
Material.			
7	8	9	10