



BELLE
LIGHT
CONSTRUCTION
EQUIPMENT



DX 1000_{HT}

1-TONNE HI-TIP DUMPER



BELLE
LIGHT
CONSTRUCTION
EQUIPMENT

dX 1000ht 1-tonne hi-tip dumper

A DIAMOND IN THE ROUGH!!

The **BRAND NEW** DX 1000HT is the new **No.1** Best in Class 1-tonne high-tip dumper. Designed to be owned by a rental company or professional operator.

The DX 1000HT sets new standards for safety, strength, operator comfort and convenience and productivity on site. With a proven, reliable Yanmar 3TNV76, 3 cylinder, water-cooled Diesel engine - perfect for this application.

FEATURES & BENEFITS

Operator Comfort and Convenience

- Fuel level is visible while in the operator's seat, saving time & improving safety & down time.
- Increased leg room for improved operator comfort.
- USB phone charger point, allowing charging while the work is done.
- Leading brand, comfort seat compliant to latest standards EN ISO 7096 for this type of equipment. Reduces operator fatigue, improves operator experience.

Strength

- Robust, easy-clean skip with fully returned edges preventing dirt ingress / concrete accumulation, reducing down time and cleaning costs.
- Strengthened chassis rails to increase durability.
- High quality, shot-blast and 2-layer powder coated paint finish for the most demanding site conditions. Maximising resale values.
- Bushed & greased steering pivot cylinder, preventing wear on the main components, cost efficient for the owners.
- Steel belly pan protector prevents damage to hydraulic circuit.
- Front enclosure / infill plate reduces stone / mud ingress meaning less down time & cleaning required.
- Steering Ram - Hose guard cover plate to prevent damage.
- Hi-quality leading brand all-terrain tyres fitted with valve protect guard, to reduce down time on site and increase productivity.



HIGH-QUALITY, ALL-TERRAIN TYRES WITH VALVE PROTECT GUARD & WHEEL NUT INDICATORS



ROBUST, EASY-CLEAN 1000KG CAPACITY SKIP FULLY RETURNED EDGES TO PREVENT DIRT INGRESS

Productivity

- The Altrad full 4 wheel drive system hydraulic system gives increased traction on poor terrain and excessive mud. Better gradeability, increased productivity and less servicing.
- Reliable, Yanmar 3TNV76, water-cooled Diesel engine - perfect for this application.
- Market leading fuel tank capacity, reduces amount of fill-ups and down time.
- Unique fuel level indicator window together with a low fuel level warning light allows for easy inspection and assist in ensuring rental & machine productivity high.
- Low hydraulic fluid level warning light reducing system damage and down time.
- Extensive use of hose clamp retainers to prevent pipe fretting and rubbing, reducing hose failures and maintenance costs.
- Fuel and Hydraulic tank drain points reducing tank flushing time in the event of contamination or servicing.
- Fuel - water separator reducing engine damage and down time.
- Central Hydraulic hoses enables increased protection, reducing the risk of down time.
- Under footplate - stone guards preventing stone/mud ingress, so less down time & cleaning required.



Safety

- Emergency Stop Button for increased safety.
- Tight turning circle allows better manoeuvrability on tight work sites, reducing shunting and increasing safety, productivity & efficiency.
- High viz access points & anti-slip foot-steps reduces slips, trips and falls when climbing on and off machine. Easily replaceable in case of an impact.
- Auto retracting seat belt prevents entanglement. Bright Orange for safety with increased visibility.
- Safe heavy duty, easy to deploy steering lock out bar, makes workshop and transport actives safer.
- "Check Point" visual wheel nut indicators make daily checks simpler to perform, reducing machine down time.
- Enclosed document box to retain machine safety documents reducing possibility of being damaged / misplaced.
- Lockable seat pan - gas strut c/w lock out reduces chance of head / trapping injuries.
- Anti-slip, hot-dipped galvanised floor plate for safety and long life.
- Hazard warning chevron's on rear of dumper for increased machine visibility on site to others.
- Priority / safety steering valve that gives priority to the steer function in the event of low hydraulic fluid pressure or flow, therefore maintain-highest levels of machine safety at all times.



ROBUST STEEL, FRONT MATERIAL INGRESS GUARD PREVENTS DAMAGE TO HYDRAULIC CIRCUIT



BELLE LIGHT CONSTRUCTION EQUIPMENT

EMERGENCY STOP BUTTON
Emergency Stop Button for
increased safety

USB PORT
USB phone charger point,
allowing charging while
the work is done

HIGH QUALITY FINISH
High quality, shot-blast and 2-layer powder
coated paint finish for the most demanding site
conditions. Maximising resale values.

ROBUST SKIP
Robust, easy-clean skip with
fully returned edges preventing
dirt ingress / concrete accumulation,
reducing down time and cleaning
costs.

INGRESS GUARD
Robust steel, front material ingress
guard prevents damage to
hydraulic circuitry

FULL 4-WHEEL DRIVE SYSTEM
The Altrad full 4 wheel drive system hydraulic
system gives increased traction on poor
terrain and excessive mud. Better gradeability,
increased productivity and less servicing.

HI-VIZ ACCE
High viz access points
reduces slips, trips and
and off r
Easily replaceable in



COMFORT SEAT & OPERATOR STATION

Leading brand, comfort seat compliant to latest standards EN ISO 7096 for this type of equipment. Reduces operator fatigue, improves operator experience.

Operator station gives increased leg room for improved operator comfort.

OPTION READY

Green Beacon, 2 x Worklights & 4 x Worklights options are available. Fully-loaded chassis harness and option-ready console means the options can be plugged-in and used immediately.

FOLDING ROPS

Robust folding ROPS as standard for the highest safety and easy transportation.

LOCKABLE SEAT PAN & GOOD SERVICE ACCESS

Lockable seat pan with locking gas strut reduces chance of head / trapping injuries. Gives good access to key service points for ease of servicing.

YANMAR 3TNV76 DIESEL ENGINE

Reliable, Yanmar 3TNV76, water-cooled Diesel engine - perfect for this application and Market leading fuel tank capacity, reduces amount of fill-ups and down time

HIGH QUALITY TYRES & WHEEL NUT INDICATORS

High quality, leading brand all-terrain tyres for excellent off-road performance with "Check Point" visual wheel nut indicators make daily checks simpler to perform, reducing machine down time.

ESS POINTS

& anti-slip foot-steps
falls when climbing on
machine.
n case of an impact.



DX 1000HT 1-TONNE HI-TIP DUMPER

Part NumberDX10HYSA

PERFORMANCE

Payload (kg) 1000
Unladen Weight (kg) 1363
Tipping TypeFront Tip - High
Turning Circle of Skip (mm) 2637
Turning Circle of Tyres (mm) 2524
Steering Angle (°) 39.7
Body Oscillation Angle (°) 15

CAPACITIES

Skip - Water (Ltr) 280
Skip - Struck (Ltr) 400
Skip - Heaped (Ltr) 500
Fuel Tank (Ltr) 35
Hydraulic Oil Tank (Ltr) 18

ENGINE

Engine ModelYanmar 3TNV76
Type Diesel
No. of Cylinders 3
Gross Power (Hp/kW) 21.4 / 15.9
Displacement cc (cc) 1116
Max. Torque (Nm) 66.4

HYDRAULIC SYSTEM

Pump Type Gear Pump
Flow Rate (l/min) 30
Operating Pressure (bar/PSI) 140
Steering System Hydraulic

BRAKING SYSTEM

Working BrakeHydrostatic Dynamic Breaking
Parking Brake Failsafe Automatic



GOOD ACCESS TO KEY FEATURES WITH SELF-LOCKING GAS STRUT AND PROVEN YANMAR 3TNV76 DIESEL ENGINE

TRANSMISSION / DRIVE

Transmission TypeHydrostatic Pump to 4 radial piston Hydraulic Motors
Tyre Size 255 / 75 -15.3
Drive Hydrostatic
Max. Travel Speed (kph) 12 (Unladen)
Max. Gradient 25% (4:1)

ENVIRONMENTAL

- Sound Pressure (LpAd) 84
Sound Power Level (LWAd) 101
Noise Emission (to ISO 4871)

ELECTRICAL SYSTEM

System Voltage (V) 12
Battery Capacity (Ah) 44
Alternator Output (A) 40

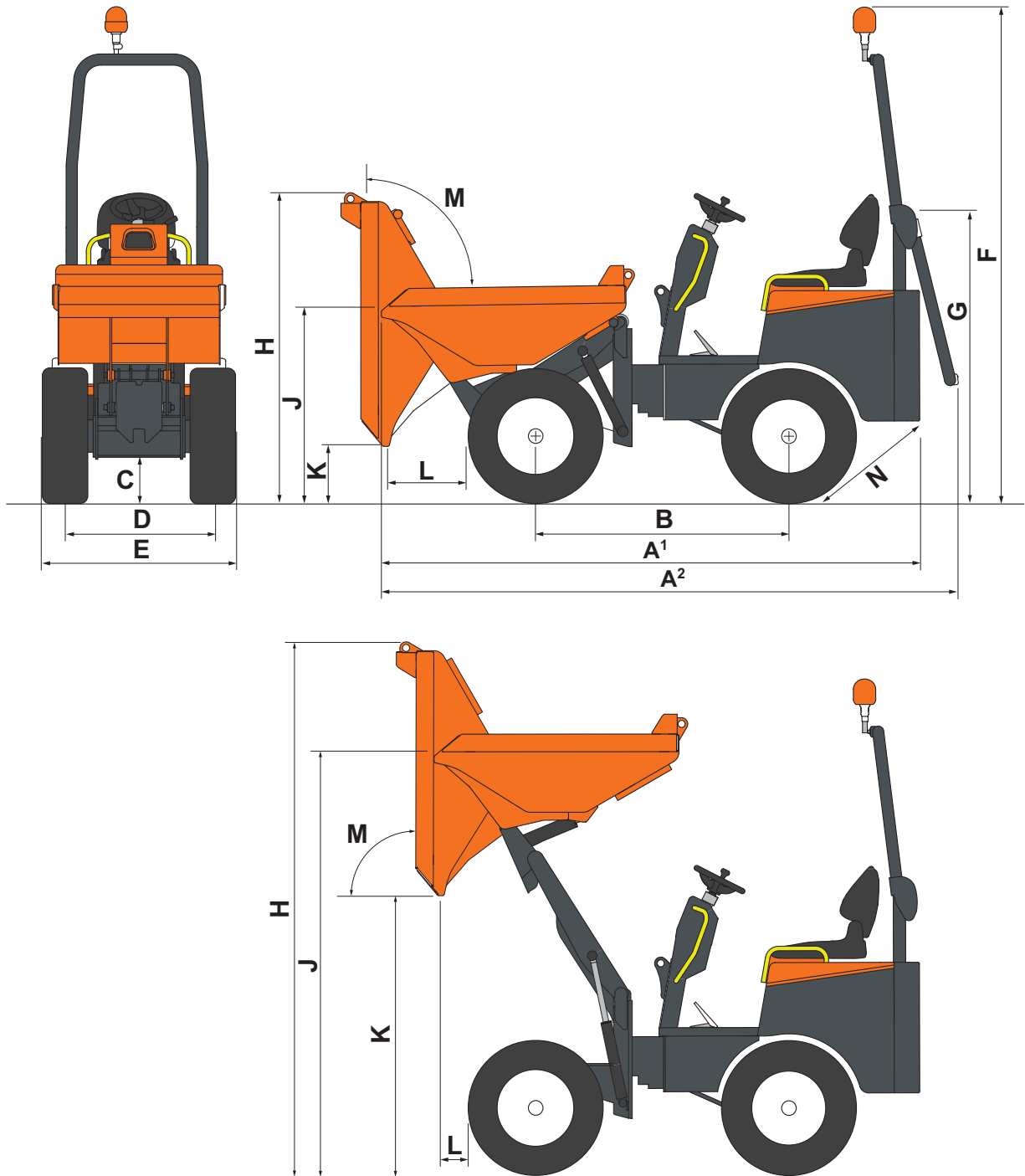
STANDARD EQUIPMENT

- Folding ROPS Frame ✓
- Reversing Alarm ✓
- Flashing Orange Beacon ✓
- Hourmeter ✓
- Seat Belt (Hi-Viz Orange) ✓
- Adjustable Seat ✓
- Heavy Duty Articulation Lock ✓
- Wide Tyres ✓



ERGONOMIC OPERATOR STATION WITH EASY-TO-REACH CONTROLS, LEADING BRAND COMFORT SEAT AND GOOD ALL-ROUND VISIBILITY

STATIC DIMENSIONS*



		Standard Wheels	cw Wheel Spacers	Narrow Wheels
A¹ - Overall Length.....	(mm)	3165	3165	3165
A² - Overall Length (ROPS folded).....	(mm)	3330	3330	3330
B - Wheel base	(mm)	1440	1440	1440
C - Minimum ground clearance	(mm)	250	250	210
D - Track width.....	(mm)	850	950	793
E - Width over tyres.....	(mm)	1100	1200	983
F - Height to top of ROPS (raised, with/without beacons)	(mm)	2545 / 2800	2545 / 2800	2505 / 2760
G - Height to top of ROPS (folded)	(mm)	1630	1630	1590
H - Dump Height (untipped/tipped)	(mm)	1820 / 2960	1820 / 2960	1780 / 2920
J - Height to front lip of dumper body (untipped, lowered/raised) ..	(mm)	1110 / 2270	1110 / 2270	1060 / 2230
K - Height to front lip of dumper body (tipped, lowered/raised)	(mm)	400 / 1540	400 / 1540	360 / 1500
L - Discharge distance front (lowered/raised).....	(mm)	520 / 380	520 / 380	520 / 380
M - Dumper body tip angle	(°)	81	81	81
N - Departure angle	(°)	38	38	34.5

OPTIONS

Option Ready

- Green Beacon ready - fitted with seat belt sensor & main harness is ready to take Green Beacon option.
- Twin Beacon and work light approved ROPS structure.
- Fully loaded chassis harness - ready for options to be plugged in and used.
- Option ready console - ready for options to be plugged in and used.
- Customer colour options giving excellent brand awareness.

Options Available

- | | |
|--------------------------|------------|
| • Work Lights x 2 | OPD/20/DIO |
| • Work Lights x 4 | OPD/21/DIO |
| • Green Beacon | OPD/22/DIO |
| • Tow Hitch | OPD/24/DIO |
| • UK Road Kit | OPD/25/DIO |
| • Narrow Wheels x 4 | OPD/26/DIO |
| • 50mm Wheel Spacers x 4 | OPD/28/DIO |

Worklights

- Available as a kit of 2 worklights or 4 worklights.
- Super bright 54W work light with 9 x 6W LED's, producing 4500 Lumens.
- Lightweight Aluminium Housing with stainless steel adjustable bracket.
- Protected to IP69K.
- Simple to fit / remove.



2X & 4X WORK LIGHT OPTIONS AVAILABLE

Green Beacon

- Tough, leading brand quality 9W beacon with 40 LED's.
- Simple to fit / remove.
- Lockable under-canopy storage for both the Green & Orange beacons.
- Flexible mounting to reduce damage.



LOCKABLE UNDER-CANOPY BEACON STORAGE

Tow Hitch

- Ideal for moving trailers, caravans etc. around site.
- 750kg maximum towing weight on flat ground (including the weight of the towed equipment).
- Combination hitch - 50mm Ball & Jaw/Pin.
- Adjustable height for correct towing position.
- Simple to fit / remove.



TOW HITCH OPTION

OPTIONS

UK Road Kit

- Kit includes headlights, brake lights, front & rear facing indicators, number plate mount (c/w number plate light and the following console switches/displays:-
 - Side Lights Switch
 - Road Lights Switch
 - Indicators Switch
 - Hazard Lights Switch
 - Display Indicator
- Accepts 279mm x 203mm standard, rear facing number plate
- 60/55W Headlights are enclosed in a durable steel mesh cage and mounted on a robust bumper bar for added protection.
- Red, White & Amber reflectors for increased visibility in poor light conditions.
- Simple to fit / remove.
- Designed to comply with BS ISO 12509:2004



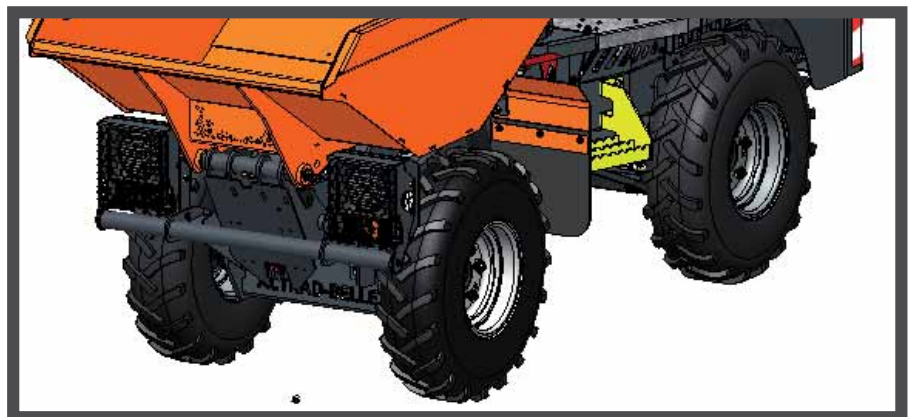
BRAKE LIGHTS, INDICATORS & NUMBER PLATE MOUNT FROM UK ROAD KIT OPTION



HEAD LIGHTS & INDICATORS FROM UK ROAD KIT OPTION

Narrow Wheels

- Reduces the machine width by 117mm to allow passage through gaps less than 1m wide.
- Simple to fit / remove.



NARROW WHEEL OPTION REDUCES MACHINE WIDTH FOR BETTER ACCESS

Wheel Spacers

- Increases the track width of the machine by 100mm giving added safety and stability in both static and dynamic conditions.
- Locking nuts for additional safety.
- Removeable for tight-access jobsites.
- Compatible with existing machines
- Corrosion resistant protective coating.
- Simple to fit / remove.



WHEEL SPACER OPTION ADDS 100MM TO THE TRACK WIDTH GIVING ADDED SAFETY & STABILITY



BELLE
LIGHT
CONSTRUCTION
EQUIPMENT

ALTRAD BELLE
Sheen, Nr. Buxton, Derbyshire, SK17 0EU, GB
Tel. +44 (0)1298 84606 - Fax +44 (0)1298 84722 - Email: sales@altrad-belle.com
www.Altrad-Belle.com
www.ALTRAD-Belle247.com